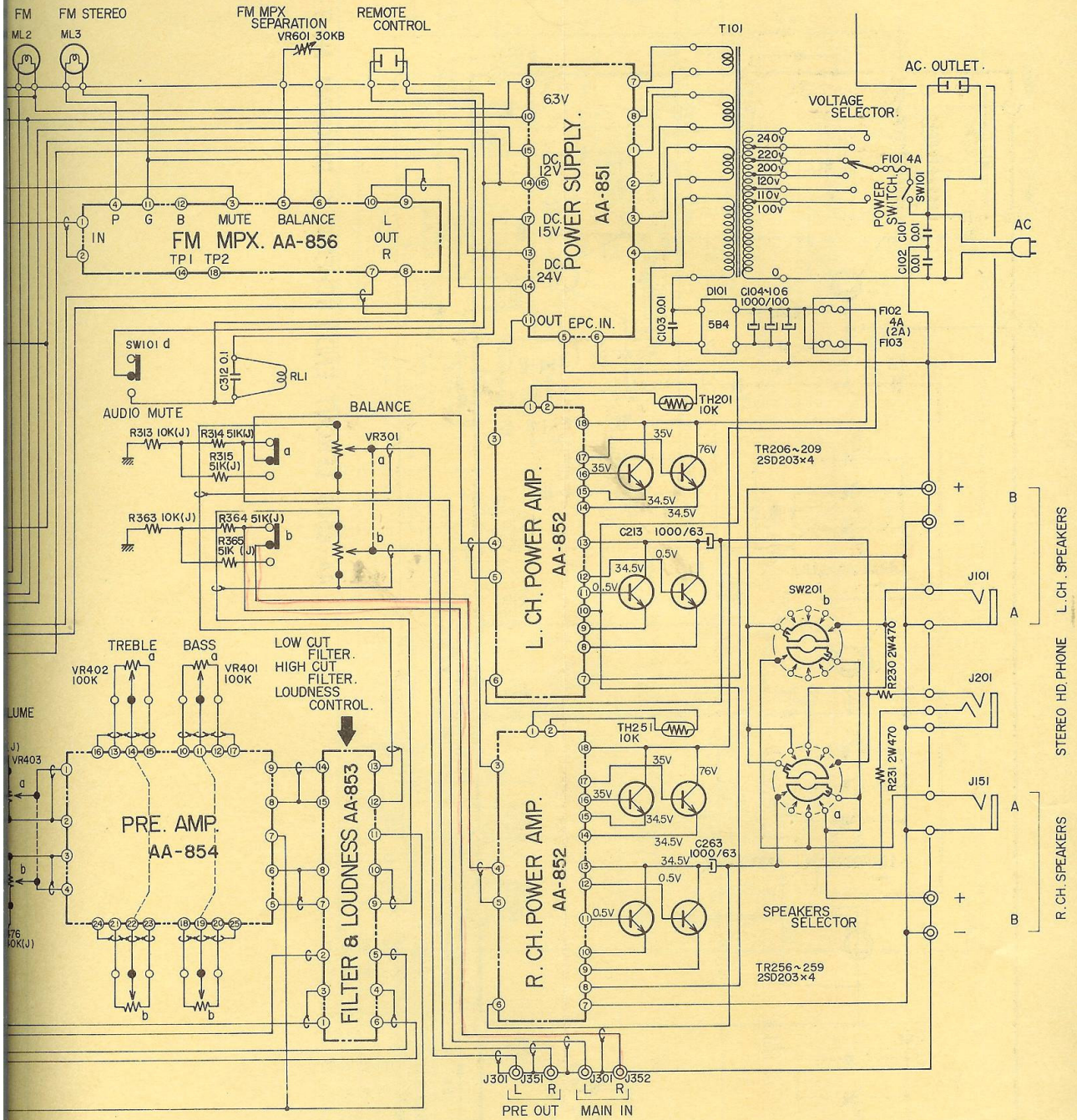
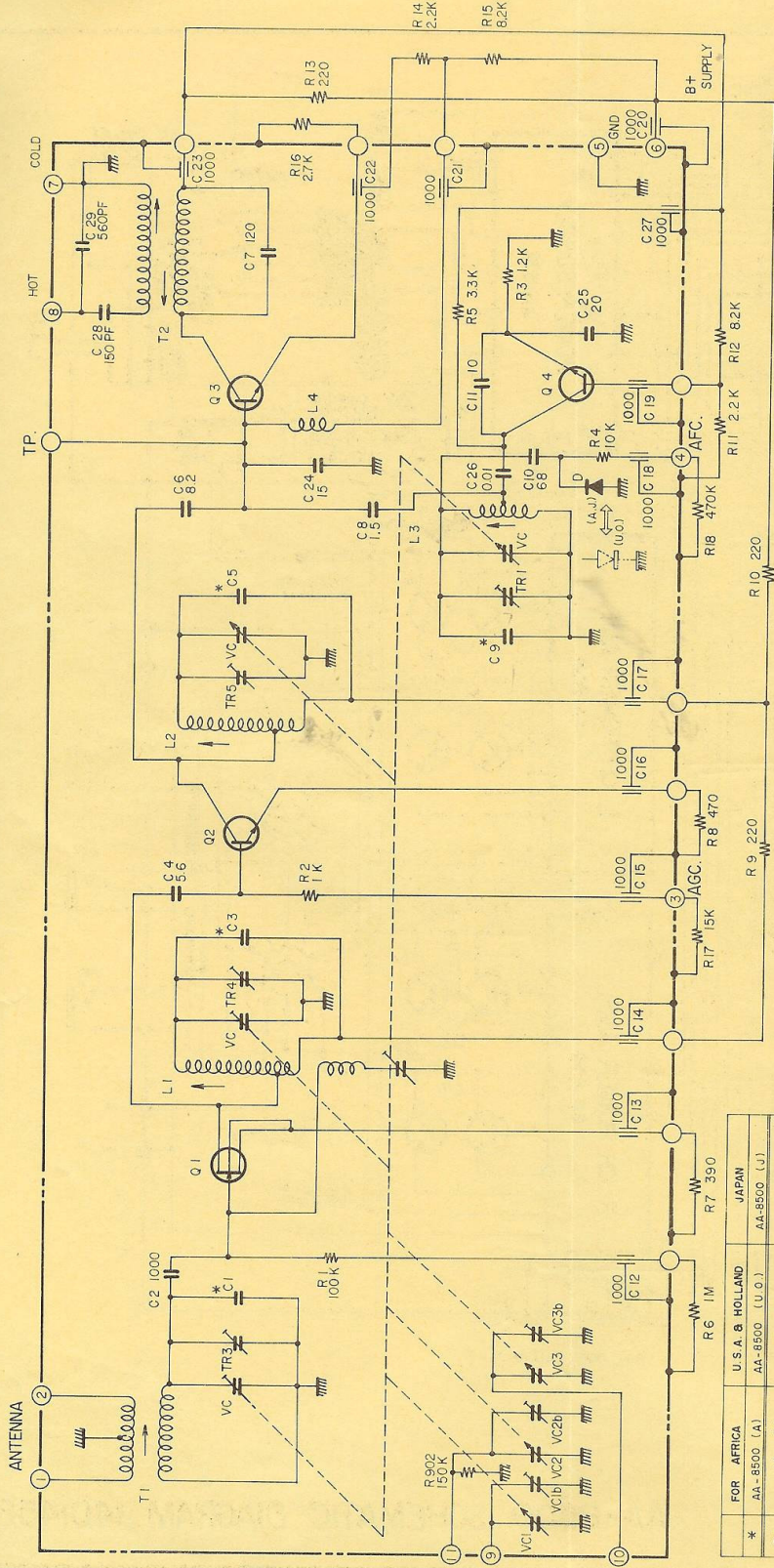


UNLESS OTHERWISE SPECIFIED  
 ALL RESISTORS  
 ALL CAPACITORS



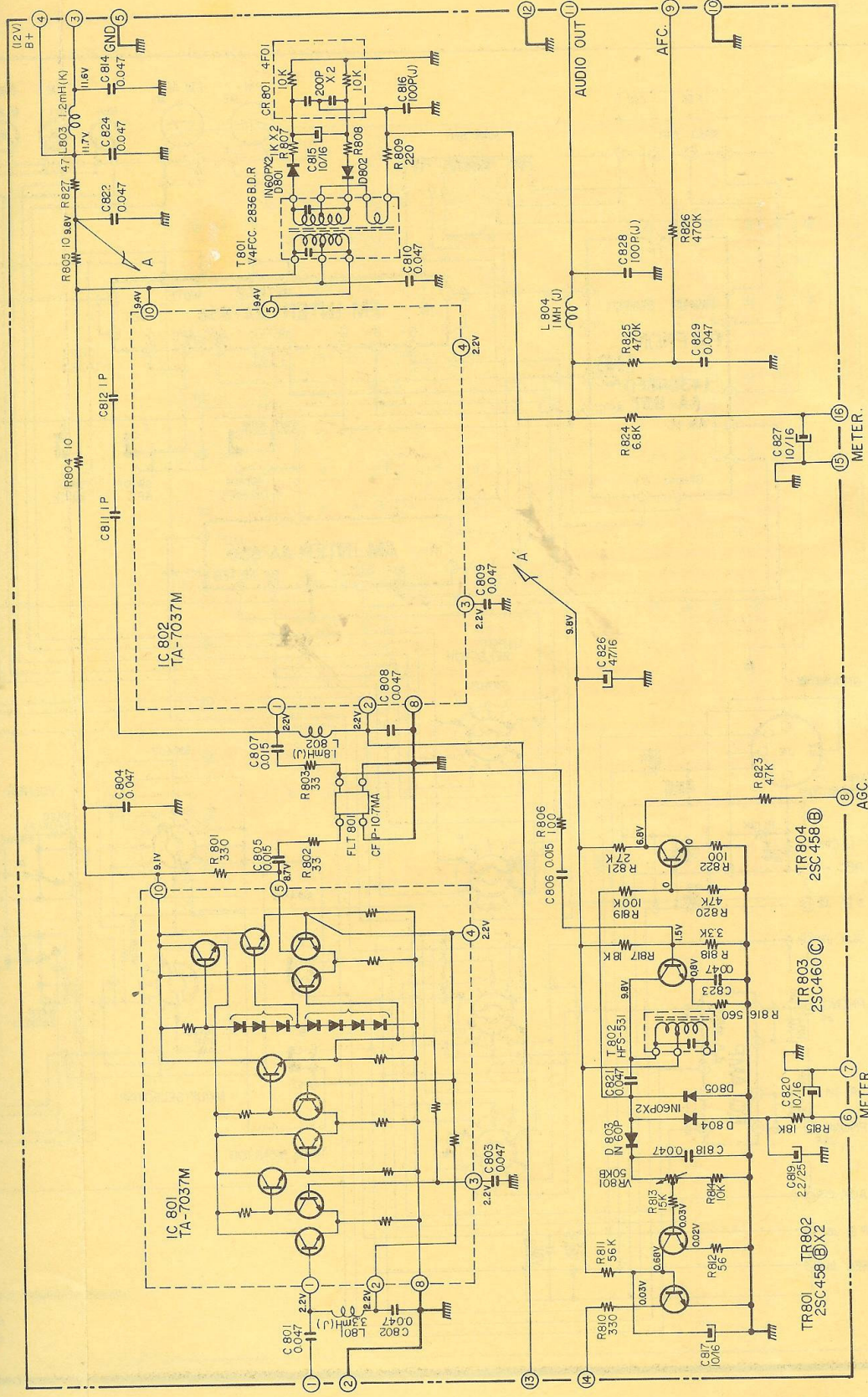
UNLESS OTHERWISE SPECIFIED  
 ALL RESISTORS IN OHMS 1/4W K  
 ALL CAPACITORS IN MFD (MFD/WV)

AA-8500 SCHEMATIC DIAGRAM 14014560

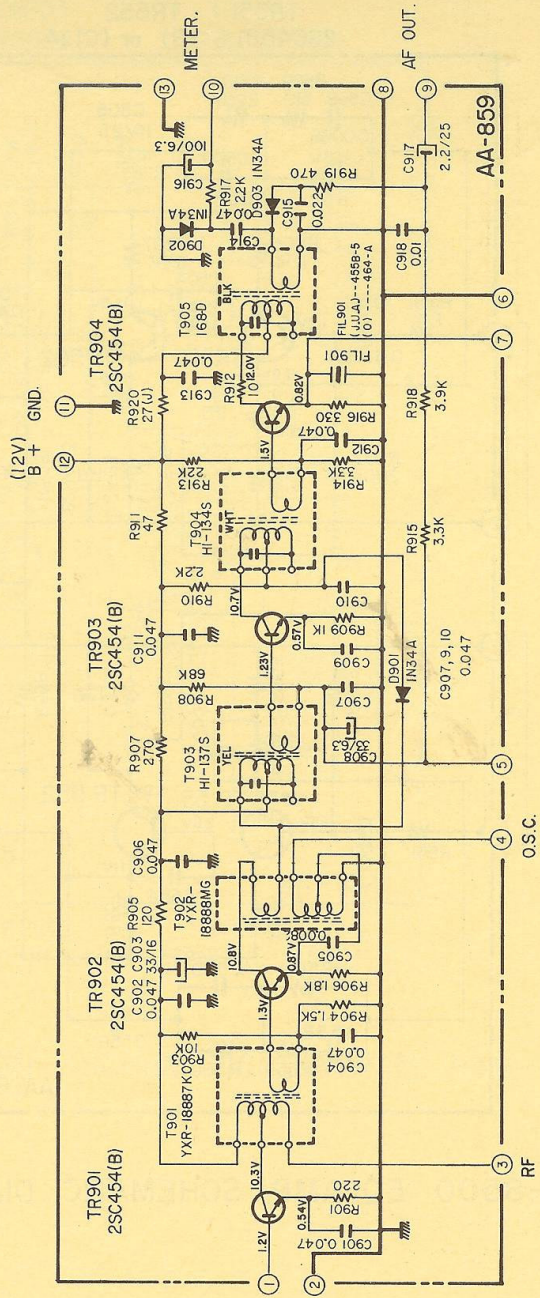


	FOR AFRICA	U.S.A. & HOLLAND	JAPAN
*	AA-8500 (A)	AA-8500 (U.O.)	AA-8500 (J)
C 1	10 PF	12 PF	10 PF
C 3	14 PF	15 PF	20 PF
C 5	14 PF	15 PF	20 PF
C 9	4 PF	15 PF	15 PF

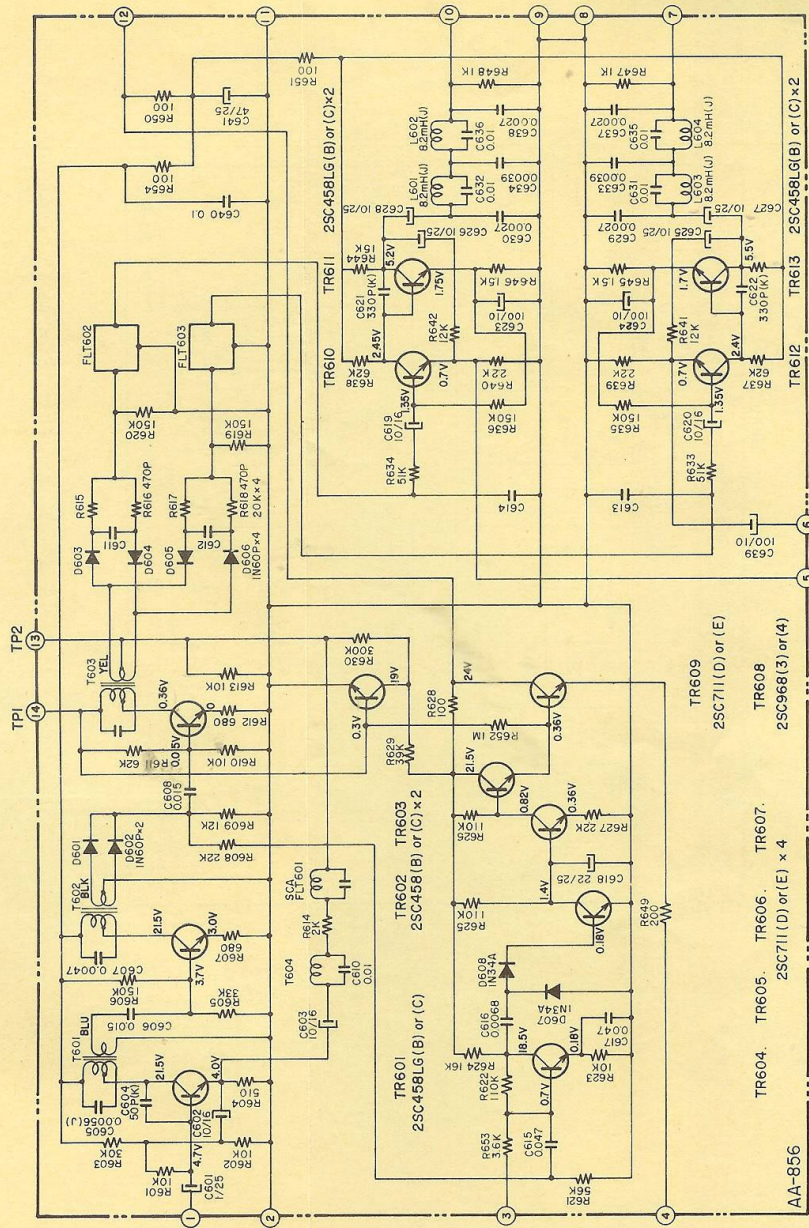
AA-8500 (FRONT END.) SCHEMATIC DIAGRAM. No. 9 - 1



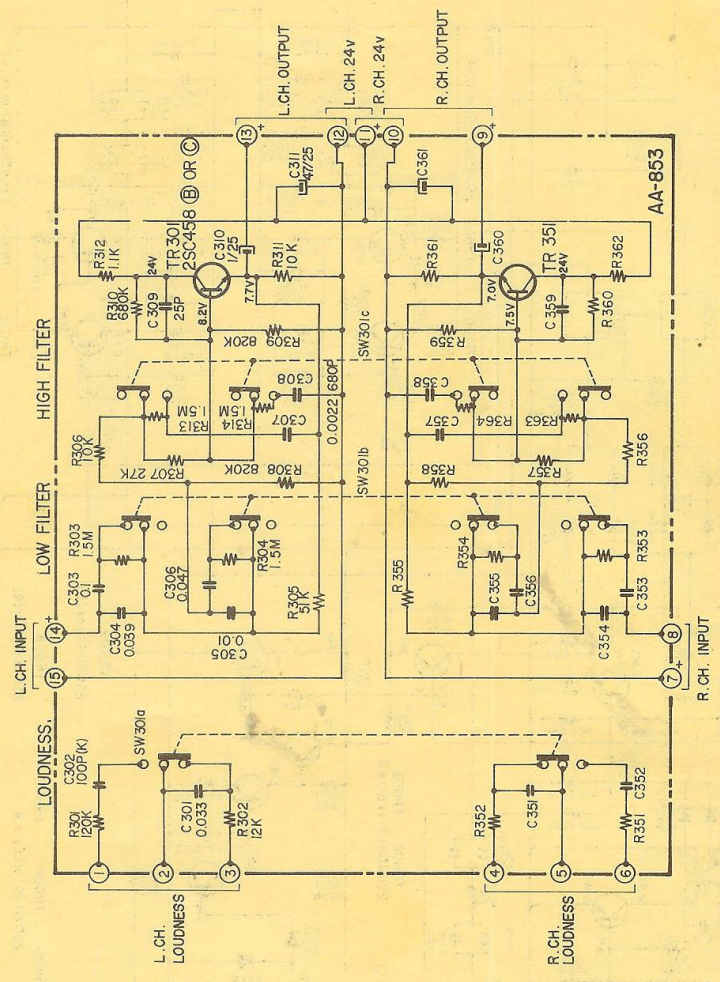
AA-8500 (FM. INTER.) SCHEMATIC DIAGRAM. No.9-2



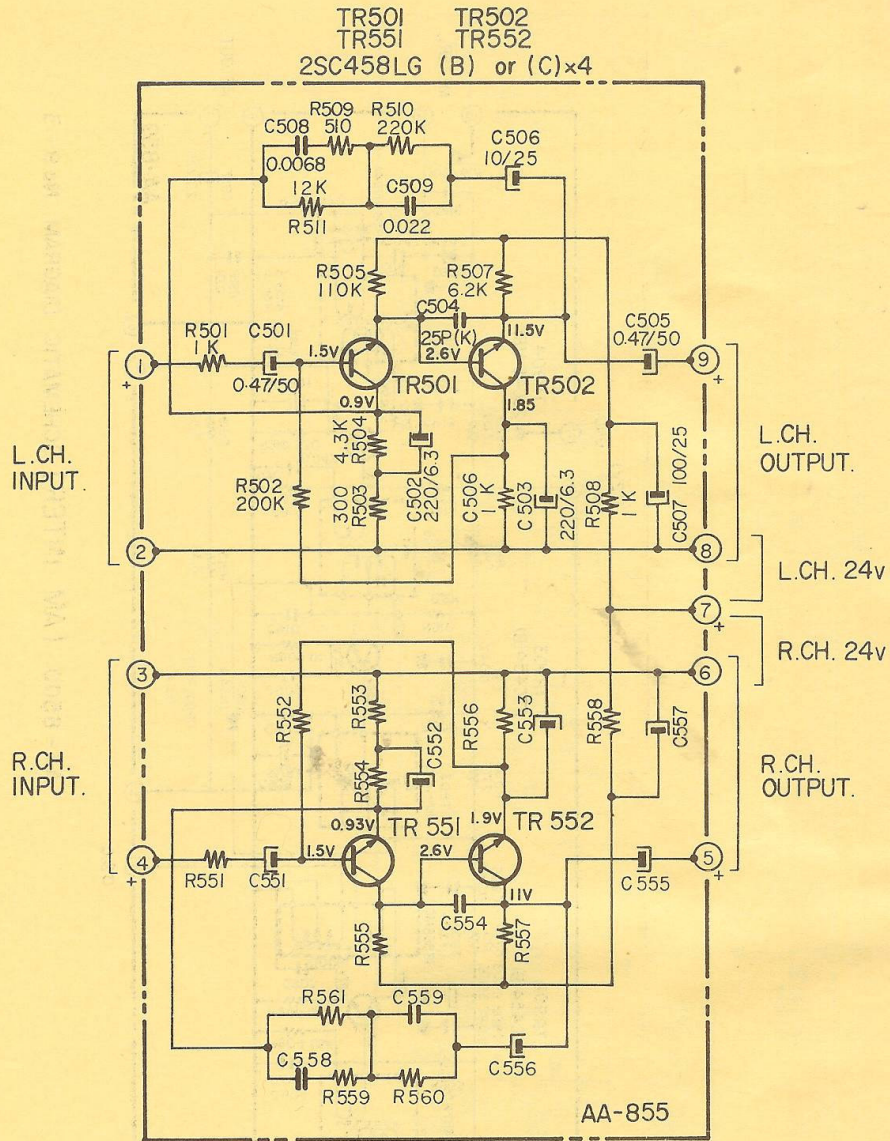
AA - 8500 ( AM INTER ) SCHEMATIC DIAGRAM. No.9 - 3



AA-8500 FM-MPX SCHEMATIC DIAGRAM, No.9-4



AA-8500 FILTER SCHEMATIC DIAGRAM. No.9 - 5



AA-8500 EQ. AMP. SCHEMATIC DIAGRAM. No.9 - 6

TR403 TR404  
2SC485 (B) or (C) x 2

TR401 TR402  
2SC458LG (B) or (C) x 2



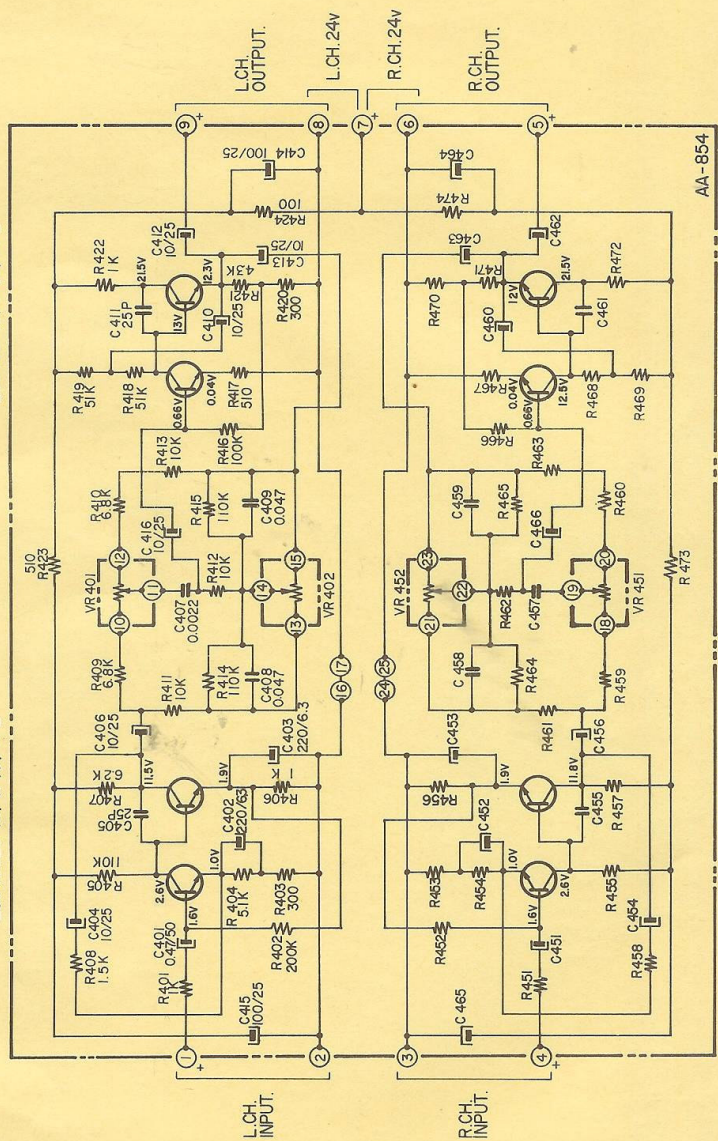
TR401 TR402  
2SC458LG (B) or (C) x 2

TR403 TR404  
2SC485 (B) or (C) x 2

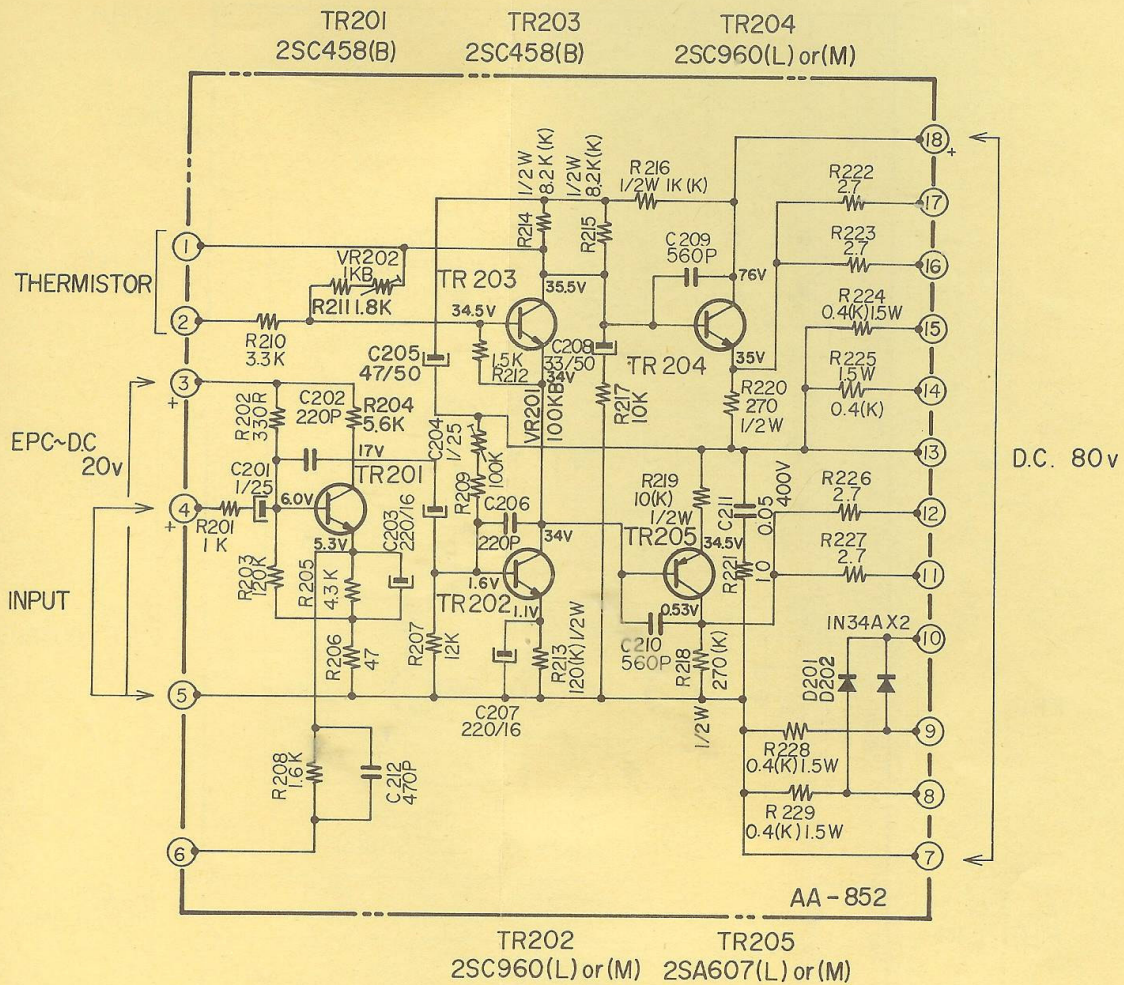
TR451 TR452  
2SC458LG (B) or (C) x 2

TR453 TR454  
2SC485 (B) or (C) x 2

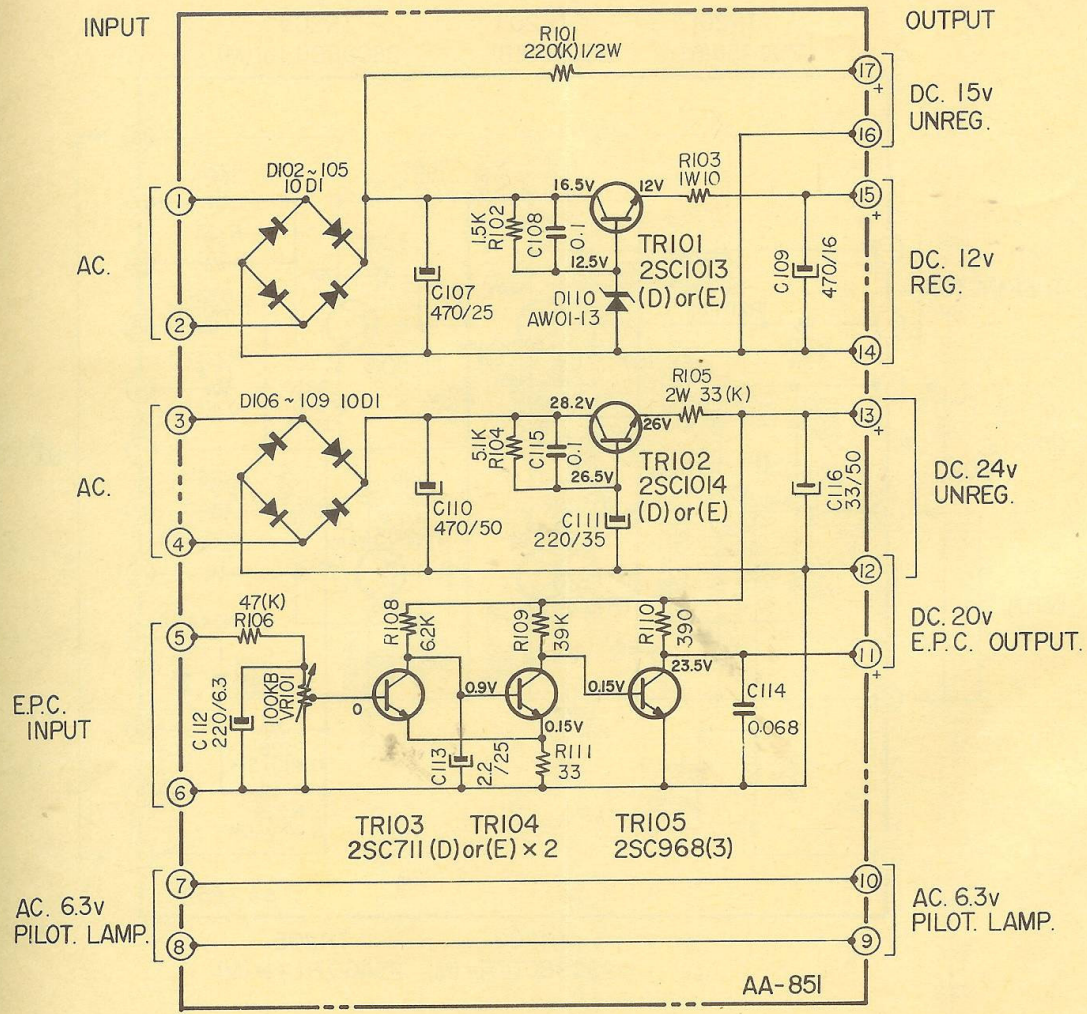
AA-854



AA-8500 PRE. AMP. SCHEMATIC DIAGRAM. No.9-7



AA-8500 POWER AMP. SCHEMATIC DIAGRAM. No.9-8



AA-8500 POWER SUPPLY SCHEMATIC DIAGRAM. No.9-9